

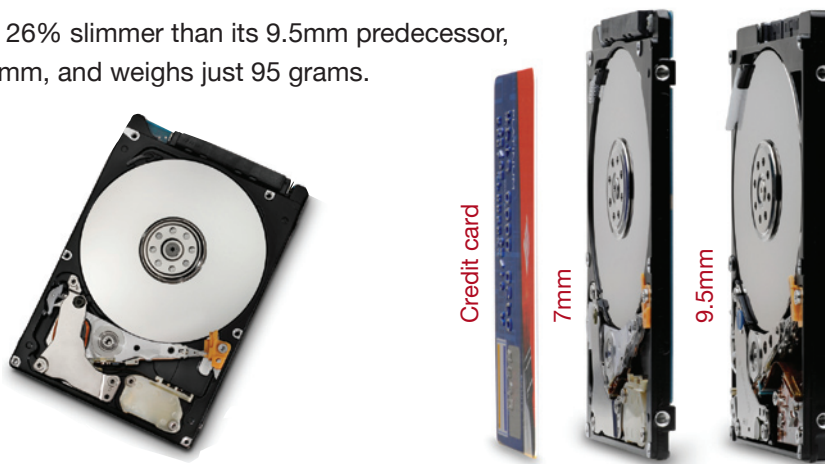
Introduction

Hitachi has reduced the size of its 2.5-inch hard drives for mobile PCs and consumer electronics applications. With its new 7mm z-height, the Z series is designed as the thinnest, high-performance, high-capacity hard drive storage for ultra-portable notebook PCs, small desktops and video devices. The Z-series hard drives are optimized as one-disk models with capacities of 160GB¹, 250GB and 320GB, delivering the traditional Hitachi strengths of low-power consumption, exceptional shock resistance and quiet acoustics. Hitachi is the first to deliver high-performance, 7200 RPM models in this form factor. The 7mm family becomes Hitachi's mainstream, rugged, power-miser mobile hard drive offering manufacturers greater design flexibility to support new, ultra-compact devices and systems.

Physical Dimensions

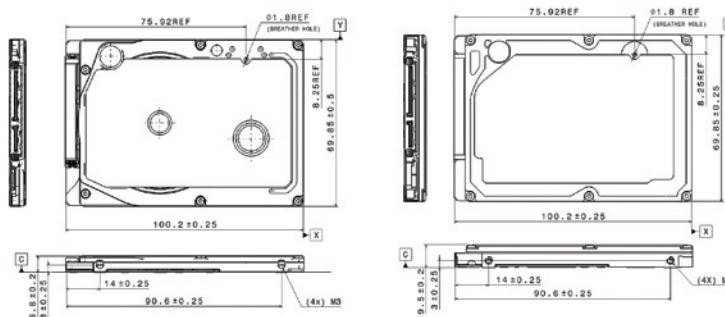
Travelstar™ Z series is 26% slimmer than its 9.5mm predecessor, at 70mm x 100mm x 7mm, and weighs just 95 grams.

Figure 1



Travelstar Z series is designed as a direct replacement for standard 9.5mm, 2.5-inch hard drives. The new 7mm drives have a common connector and common mounting points with the 9.5mm models. See figure 2. No changes are required to interchange this new drive form factor into a 9.5mm space with a screw mounting.²

Figure 2



New Design Flexibility

The slimmer form factor of the Travelstar Z-series hard drives facilitates sleek and innovative new designs and allows improved adaptations of existing designs. With the additional space freed up by the 2.5mm height reduction, manufacturers might enhance the ruggedness of devices with additional shock absorption, or improve unplugged time by using a larger battery. Travelstar Z series is ideally suited for new thinner system designs including netbooks, tablets and ultra-portable notebook PCs, as well as modern, compact desktop PCs. See figure 3. The 7mm Z series is also a cost-effective, high-capacity alternative to 1.8-inch hard drives and solid state storage for ultra-compact devices.

Hitachi has implemented design improvements on the Z series to further enhance its acoustics performance and deliver quieter drive operation. This is particularly important as devices are designed in more lifestyle applications for use

on-the-go and in the home. The new CinemaStar™ Z-series hard drives are customized to support digital video and surveillance applications in ultra-compact designs. They leverage the new acoustic performance to help manufacturers deliver bedroom-quiet DVRs, set-top boxes and high-end audio systems.

Enhanced Availability (EA)—for 24x7 access to data

Hitachi provides enhanced-availability models of the Travelstar Z series that deliver 24x7 access to information for data-intensive applications, in lower-transaction environments, requiring round-the-clock operation. The new, slimmer profile provides for additional cooling, especially important in dense blade server designs.

Optional Encryption

Travelstar Z-series hard drives are available with optional hard-drive-level encryption for increased data security. Hitachi has designed these self-encrypting drives to the Trusted Computing Group (TCG) Opal Storage Security specification. With Bulk Data Encryption™ (BDE), data is scrambled using a key as it is written to the disk, then descrambled with the key as it is retrieved, giving users the highest level of data protection.

Figure 3



Hitachi's 7mm Z series delivers the right balance of capacity, performance and features to provide manufacturers the maximum design flexibility to meet the needs of compact, mobile systems. Please contact your Hitachi representative or visit our website, www.hitachigst.com, for more detailed information.

¹ One GB is equal to one billion bytes when referring to hard drive capacity. Accessible capacity may be less.

² For existing system designs with a 9.5mm bay that do not use screw mountings, manufacturers may prefer to use a spacer with a 7mm drive to fill the extra space.

Hitachi Global Storage Technologies trademarks are intended and authorized for use only in countries and jurisdictions in which Hitachi Global Storage Technologies has obtained the rights to use, market and advertise the brand. Contact Hitachi Global Storage Technologies for additional information. Hitachi Global Storage Technologies shall not be liable to third parties for unauthorized use of this document or unauthorized use of its trademarks.

References in this publication to Hitachi Global Storage Technologies' products, programs or services do not imply that Hitachi Global Storage Technologies intends to make these available in all countries in which it operates.

Product specifications provided are sample specifications and do not constitute a warranty. Information is true as of the date of publication and is subject to change. Actual specifications for unique part numbers may vary. Please visit the Support section of our website, www.hitachigst.com/support, for additional information on product specifications. Photographs may show design models.

© 2010 Hitachi Global Storage Technologies

Hitachi Global Storage Technologies
3403 Yerba Buena Road
San Jose, CA 95135 USA

Produced in the United States 5/10. All rights reserved.

Travelstar and CinemaStar are trademarks of Hitachi Global Storage Technologies. Hitachi and Hitachi Inspire the Next logo are trademarks of Hitachi, Ltd in the U.S., Japan and/or other countries.

 **Hitachi Global Storage Technologies**