

HITACHI

Inspire the Next

Quick installation guide Hitachi Travelstar C3K80

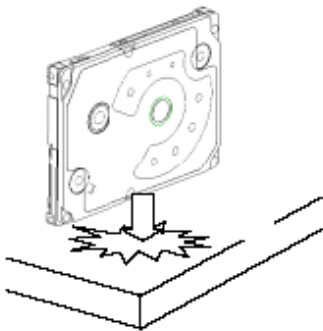
Models: HTC368080H8CE00
HTC368060H8CE00
HTC368040H5CE00
HTC368030H5CE00



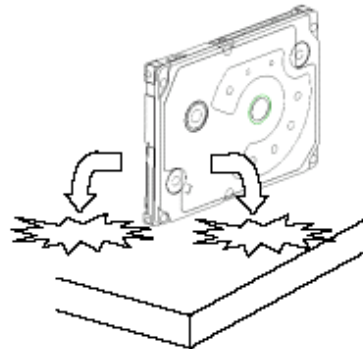
Handling precautions

- Wear a grounded wrist strap while handling the drive to prevent damage from Electrostatic Discharge(ESD).
- Set the drive down gently to prevent damage from impact or vibration.
- Do not open the ESD bag containing the drive until needed.
- Handle the drive carefully by the edges. Do not touch the exposed printed circuit board or any electronic components.
- Do not press on the top or bottom of the drive.
- Vibration, shock and static electricity to the drive will damage the precision parts. In particular, prevent vibration or shock generated by dropping, knocking over or hitting the drive. Also, avoid touching the electrical components directly, which can discharge electrostatic energy and damage the drive.

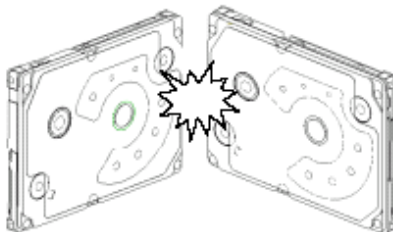
(Dropping)



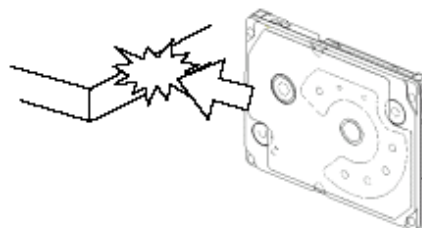
(Knocking over)



(Hitting)

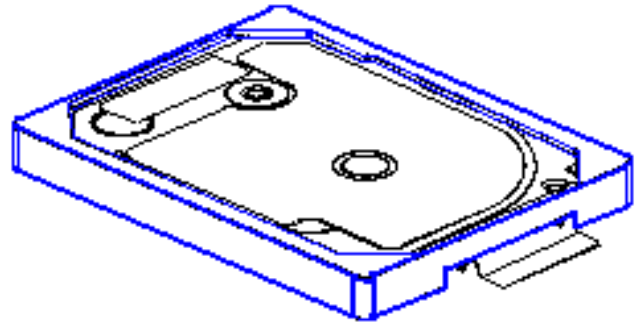
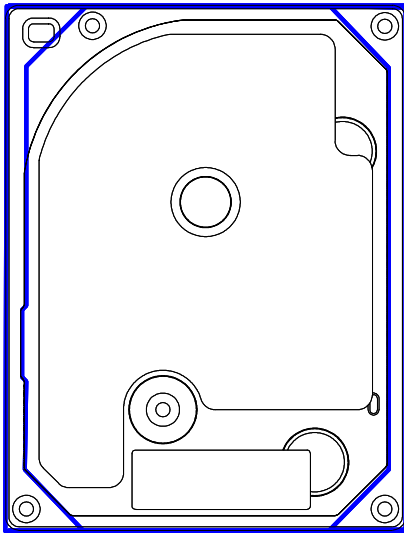


(Hitting)



Mounting Recommendations

- **The Travelstar C3K80 hard drive does not utilize screws for mounting.**
Hitachi recommends securing the drive using the shock mounting scheme illustrated in the diagram below.
- **Do not push top cover.**
To avoid mechanical contact between HDD cover and the movable part in HDD, do not push top cover.
- **To secure air flow, Do not make airtight on HDD surface as much as possible.**
- **The PCBA side of the drive should be covered with isolation sheet if the active metal of host system may contact to the PCBA of the drive.**
- **Give FPC enough length to avoid excessive tension under shock condition.**
- **Recommended Material: “E-A-R’s ISODAMP” is suggested to use.**
Need to select appropriate material ingredient (outgas) for HDD. Outgas of Silicone rubber gives serious damage to HDD etc.

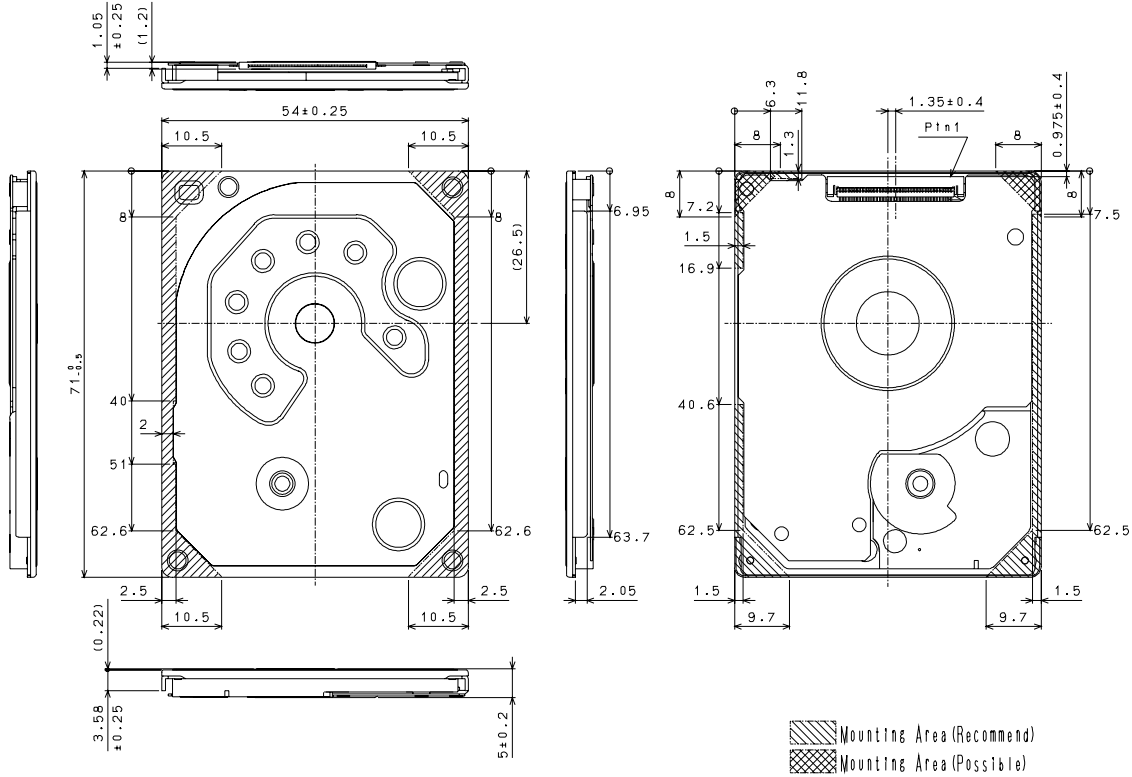


Recommended drop shock material distributors

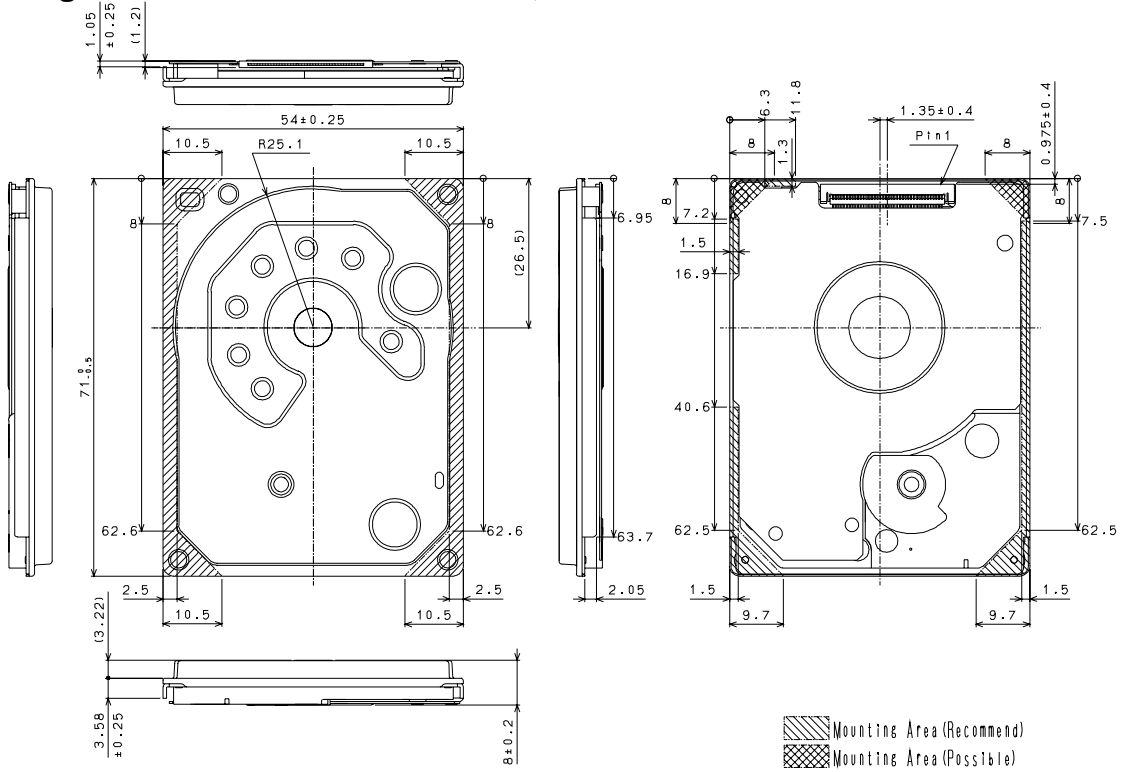
<http://www.earsc.com/>

Dimensions and Mounting area

5mm height model : HTC368040H5CE00, HTC368030H5CE00



8mm height model : HTC368080H8CE00, HTC368060H8CE00



© Copyright Hitachi Global Storage Technologies

Hitachi Global Storage Technologies
5600 Cottle Road
San Jose, CA 95193

Produced in the United States

02/07

All rights reserved Travelstar™ is a trademark of Hitachi Global Storage Technologies.

Microsoft, Windows XP, and Windows are trademarks of Microsoft Corporation in the United States, other countries, or both.

Other product names are trademarks or registered trademarks of their respective companies.

References in this publication to Hitachi Global Storage Technologies products, programs or services do not imply that Hitachi Global Storage Technologies intends to make these available in all countries in which Hitachi Global Storage Technologies operates.

Product information is provided for information purposes only and does not constitute a warranty.

Information is true as of the date of publication and is subject to change. Actual results may vary.

This publication is for general guidance only. Photographs may show design models.

13 February 2007
